

MOSA M12 MALE 0° FIELD-WIREABLE (IDC)4-pol. 0.25...0.5mm²

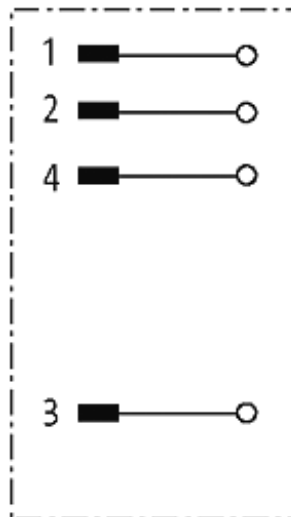
Male straight

4-pole

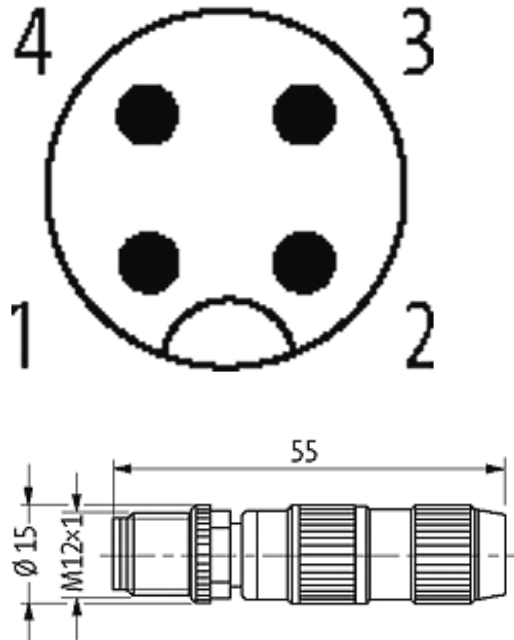
Connection cross section: 0.25...0.5 mm²

Art.-No. 7005 - M12 Lite - (plastic hexagonal screw) on request

The resistance to aggressive media should be individually tested for your application.
Further details on request.

[Link to Product](#)**Illustration**

Male



Product may differ from Image

Approvals



Form

Form 12481

Technical Data

| | |
|-------------------------------|---|
| Operating voltage | max. 32 V AC/DC |
| Operating current per contact | max. 4 A |
| Connection cross section | 0.25...0.5 mm ² (conductor diameter min. 0.1 mm) |
| Sealing range (cable Ø) | 4...5.1 mm |
| Wire isolation | PVC, PP, TPE |
| Outer wire Ø | 1.2...1.6 mm |
| Locking of ports | Screw thread M12 × 1 mm (recommended torque 0.6 Nm) self-securing |
| Protection | IP67 inserted and tightened (EN 60529) |

General data

| | |
|----------------------|--------------|
| Temperature range | -25...+85 °C |
| Dimensions H × W × D | 55×15×15 mm |

Commercial data

| | |
|------------------------|----------|
| country of origin | DE |
| customs tariff number | 85369010 |
| minimum order quantity | 1 |